

# Sandvik DC121R

## Surface Top Hammer Drills



Sandvik DC121R is a remote controlled, hydraulic and self-propelled drilling unit on a 4-wheel drive carrier.

Typical applications for DC121R are foundation drilling, road cutting, trenching, bolting, line drilling in dimensional stone quarries, and other special drilling applications. Therefore DC121R is most often used by construction contractors, mines and quarries, and the municipal sector. Due to its versatility DC121R is often included in the equipment fleet of rental houses as well.

Hole Diameter:	22 - 45 mm ( $7/8$ " - $1\ 3/4$ " )
Rock Tools:	19, 22 or 25 mm ( $3/4$ " , $7/8$ " or 1" ) rods
Rock Drill:	5,5 kW
Engine Output:	37 kW
Flushing Air:	1,2 m <sup>3</sup> /min, up to 8 bar
Production Capacity:	300 - 540 m <sup>3</sup> /8h
Total Weight	2 800 kg

## STANDARD COMPONENTS

Rock drill	HEX 1, hydraulic
Chain feed	CF 100 x 32 / HEX 1, incl. one set of jaws
Rod rack	On the carrier
Boom	DB 120, articulated
Carrier	Rubber-tyred
Powerpack	Diesel driven, hydraulic pumps and on-board compressor
Hydraulic system	Open center
Control system	TA132E/120, radio remote
Dust collector	DC 120, hydraulic
Working lights	4 pcs
Hydraulic jacks	4 pcs
Manuals	1 x paper copy 1 x CD-ROM (ToolMan)

## THE JAWS FOR DRILL STEELS

Drill steel type	Drill steel diameter	Recommended hole diameter
Hexagonal steels	19 mm $\frac{3}{4}$ "	22 - 27 mm $\frac{7}{8}$ " - $1\frac{1}{16}$ "
Hexagonal steels	22 mm $\frac{7}{8}$ "	28 - 45 mm $1\frac{7}{64}$ " - $1\frac{3}{4}$ "
Hexagonal steels	25 mm 1"	35 - 45 mm $1\frac{3}{8}$ " - $1\frac{3}{4}$ "
MF rods	R23	33 - 45 mm $1\frac{5}{16}$ " - $1\frac{3}{4}$ "
Shank adapter/ Shank rod	R23	33 - 45 mm $1\frac{5}{16}$ " - $1\frac{3}{4}$ "
Shank rod Alpha 250	25 mm 1"	35 - 45 mm $1\frac{3}{8}$ " - $1\frac{3}{4}$ "

If several jaws selected please specify jaws assembled

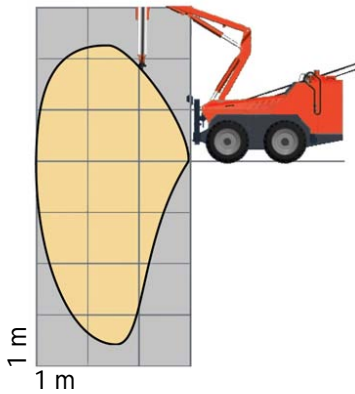
## SELECTION OF OPTIONS

1.	Spirit level angle indicator
2.	TIM 1402 feed angle measuring system
3.	TIM 1403 feed angle and depth measuring system
4.	TIM 1404 feed angle measuring and aligning system
5.	Shut down of suction for water holes
6.	Water flushing kit without water pump
7.	Chain tracks
8.	Hydraulic winch
9.	Electric heater for engine
10.	Manual fuel filling pump
11.	Electric fuel filling pump
12.	Grinder Dynaset

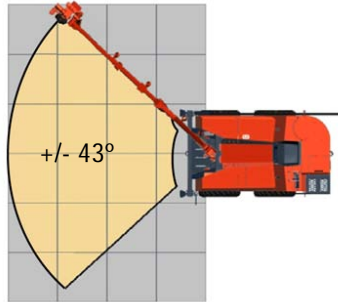
13.	Central lubrication system Lincoln
14.	Grinder Sandvik RG100H
15.	Exhaust gas purifier
16.	Biodegradable hydraulic oil, Shell Naturelle HFE 46 or HFE 68
17.	Kit for alternative steels, each
18.	Spare radio remote transmitter
19.	First service kit for DC120
20.	Special tools for HEX 1
21.	Security+ (Silver, Gold or Platinum)
22.	Extra manuals, price will be added according to pricing sheet

## COVERAGE AREA

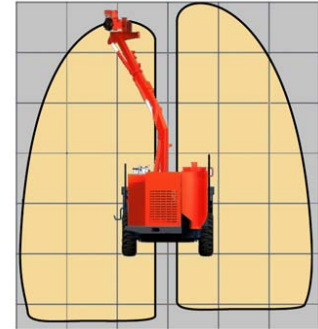
Vertical drilling



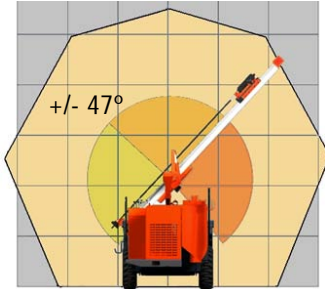
Vertical drilling



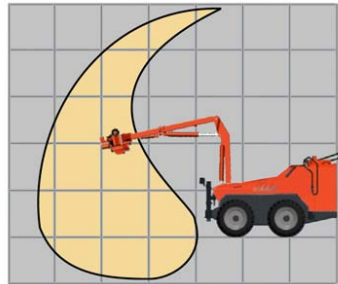
Horizontal drilling, forwards



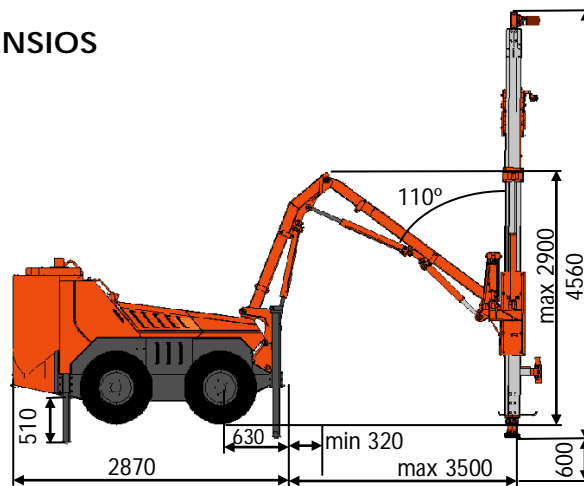
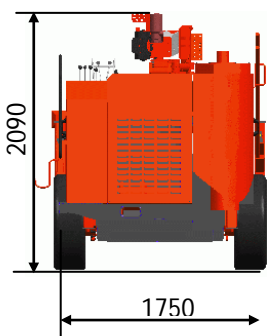
Horizontal drilling, sideways  
With manual roll-over



Horizontal drilling, sideways



## TRAMMING AND TRANSPORT DIMENSIONS



Weight (without options)	2 800 kg
Width	1.8 m
Height	2.2 m
Total length	4.5 m

Sandvik Mining and Construction reserves the right to change this specification without further notice.