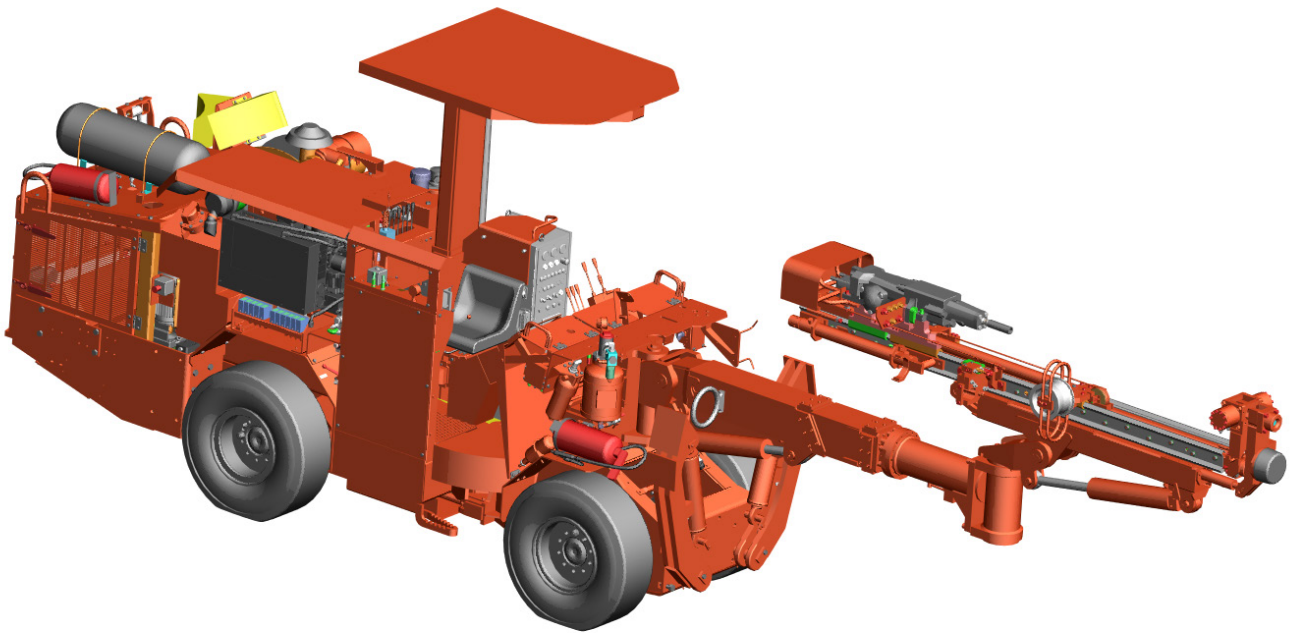


# SANDVIK DD210-V DEVELOPMENT DRILL

TECHNICAL SPECIFICATION



Sandvik DD210-V is a compact and versatile single boom electro hydraulic jumbo for development, bolting and/or production in narrow vein mining and in small tunneling for construction projects in cross sections up to 27 m<sup>2</sup>. The heavy duty and multi-purpose boom offers large optimum shaped coverage and accurate drill positioning. A double rotation actuator allows a vertical positioning on both sides of the boom and the possibility to drill extremely close to the hanging and foot walls, both to the right and left side. The compact jumbo layout is designed for good visibility and good stability, the heavy duty & articulated carrier, with powerful four-wheel-drive transmission ensure fast and safe manoeuvring in small mining drifts or construction tunnels. The efficient rock drill and smooth drilling controls system allow high drilling performance with good drill steel economy and high machine reliability. All the service points are well protected but easy to access.



## HYDRAULIC ROCK DRILL

Rock drill	HL510	
Percussion Power	16 kW	
Percussion Pressure	Max. 175 bar	
Percussion rate	59 Hz	
Rotation Speed	Max. 250 rpm (OMS80)	
Rotation torque	400 Nm (OMS80)	
Hole size (drifting)	43 - 51 mm	1.6 - 2 in
Hole size (cut hole)	76 -127 mm	3 - 5 in
Recommended Rod	H35 - R32 R39 - R35	
Shank adapter	R32 / T38	
Weight	130 kg	286.6 lb
Length	1024 mm	40.3 in
Profile height	76 mm	3 in
Shank lubrication device	Air / oil mist, KVL10-1	
Air consumption	250 - 350 l/min	
Oil consumption	180 - 250 g/h	

## BOOM

Boom	B14NV	
Parallel coverage	27m <sup>2</sup>	290 ft <sup>2</sup>
Boom extension	800 mm	31.5 in
Boom weight, net	1200 kg	2645.5 lb
Rotation angle	360°	
Bolt hole drilling	Yes	

## FEED

Feed	NVTF8/12	
Feed Force	Max. 12 kN	
Feed Extension	1400 mm	55.1 in

## FEED DIMENSIONS

Feed	Total Length (min/max)	Hole length (min/max)	Rod length (min/max)	Net Weight
TF500-8*	4050 mm	2220 mm	2480 mm	440 kg
	159.5 in	87.4 in	97.6 in	970 lb
TF500-10*	4660 mm	2830 mm	3090 mm	470 kg
	183.4 in	111.4 in	121.6 in	1036 lb
TF500-12*	5270 mm	3440 mm	3700 mm	500 kg
	207.5 in	135.4 in	145.6 in	1102 lb
NVTF8/12	3600/4660 mm	2260/3480 mm	2475/3700 mm	431 kg
	141.7/183.4 in	89/137 in	97.4/145.6 in	950 lb
CFX6/12*	2930/4765 mm	1587/3417 mm	1830/3660 mm	615 kg
	115.3/187.6 in	62.5/134.5 in	72/144 in	1356 lb

\* Alternative options features/components \*\* Additional options features/components

## HYDRAULIC SYSTEM

Powerpack	HPP 545 (45kW)	
Percussion, rotation pump, feed and boom pump	3 x 37 cc (50hz) (Triple pump) or 3 x 32 cc (60hz) (Triple pump)	
Filtration size	12 micron (pressure) 12 micron (return)	
Oil tank volume	165 liters	43.5 US gal
Tank filling	Manual pump	
Oil cooler	Oil cooled. Cooling capacity 1 x 25 kW	

## CONTROL SYSTEM

Type	IBCQNV	
Controls	Direct control	
	Fully proportional	
	Fast rock drill return & forward movement	
Drilling control	Feed / percussion control Anti-jamming system	
Automatic cycle*	Stop and return automatics (only with TF Feed)	

## GREASING SYSTEMS

Centralized greasing points	Carrier
-----------------------------	---------

## ELECTRIC SYSTEM

Total input power	60kW
Main switch	EB1
IP classification	See spec sheet TS2-132
Standard voltages	380-690 VAC
Starting method	Star delta starter 380VAC-575VAC
	DOL 600VAC-690VAC
Voltage fluctuation	± 10%
Automatic cable reel	CRQ with three turn indicator light
Cable reel control (in & Out)	At the operator station
Batteries	2 x 12 V, 90 Ah
Low level hydraulic oil	Indicator and switch
Front working lights	2 x 70 W (24V)
Front tramming lights	2 x 70 W (24V)
Rear tramming light	1 x 70 W (24V)

## FLUSHING SYSTEM

Flushing	Water
Water pump type	WBPI
Water pump capacity	43 l/min
Water pump inlet pressure	2 bar (Min.)
Flushing water pressure	10 - 15 bar
Air compressor	CTN10, 1m <sup>3</sup> /min (7 bar)
Water flushing with air cleaning of hole	1x60l air receiver

## TRAMMING &amp; OPERATOR STATION

Tramming Speed	Horizontal: 6,5 km/h	Horizontal: 4 mph
	14% = 1:7 = 8° 4.0 km/h	2.48 mph
Gradeability / Inclination	Max. 15° / 5°	
Safety canopy	FOPS (ISO3449)	
Operation	Standing drilling, seated tramming	
Sound pressure level according to EN791	Operator station: 102 db(A) Emitted: 124 db(A)	
Seat	Ergonomic, adjustable for tramming including seat belt	
Reversing alarm	Standard	

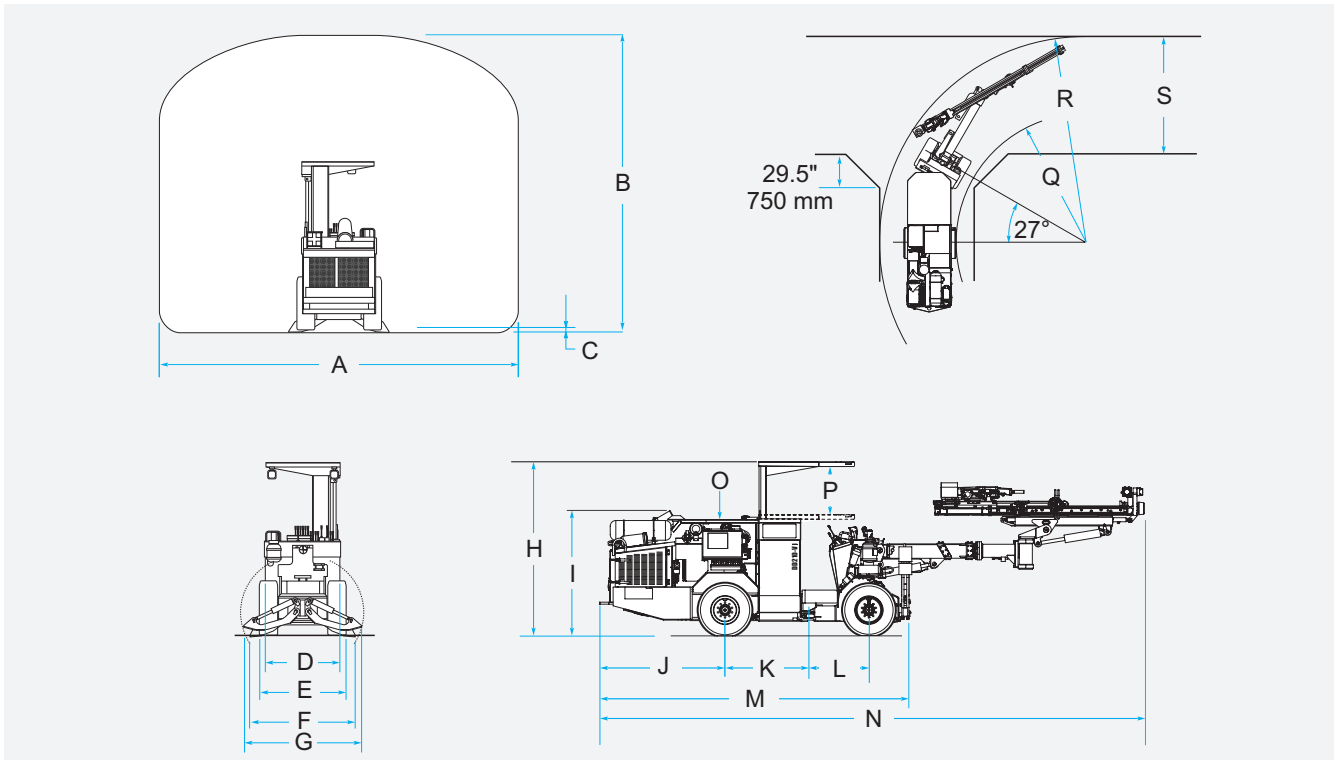
## CARRIER

Carrier	TCQ	
Carrier type	Wheel mounted, frame steering	
Frame steering	± 27°	
Rear oscillation	± 6°	
Ground clearance	225 mm	8.9 in
Diesel Engine	Deutz L04D914, 58kW. Tier 3, Stage 3A	
Exhaust catalyzer	Standard	
Transmission	Hydrostatic	
Wheel motor	4 x radial piston	
Tyres	10.00 - 15	
Service Brakes	Hydrostatic transmission	
Parking and Emergency Brakes	Spring applied Hydraulically released fail safe type oil immersed multi disc brakes on each wheel	
Fuel tank	75 liters	19.8 US gal
Hydraulic jacks	Outriggers (front)	
	Vertical (rear)	
Brake release	Manual hand pump	
Total weight	9100 kg	200620 lb
	(depending on option)	(depending on option)

## OPTIONS &amp; PACKAGES

<b>Rock drill</b> Rock drill*	HLX5 instead of HL510 (with TF500 feed) RD314 instead of HL510 (with CFX6/12)
<b>Feed</b> TF500 Feed lengths*  CFX Feed lengths* Rod retainer** Rod retainer + rear hydraulic stinger**	TF500-8', TF500-10', TF500-12' with HLX5 only CFX6/12 with RD314 only FCC2 (CFX only) NVTf
<b>Hydraulic system</b> Tank filling* Biodegradable oils*	Electric pump Shell Naturelle HFE46/HFE68
<b>Drilling control</b> Automatic cycle*	Stop and return automatics (only with TF Feed)
<b>Cleaning system</b> Pressure cleaning system without reel** High pressure cleaning system without reel**	5 - 15 bar  Max. 180 bar
<b>Greasing system</b> Greasing gun & cartridge with hose reel	Manual
<b>Electric system</b> Main switch* Optional voltage* Electric cable rubber or PUR**  Cable reel end switch**  Ground fault and overcurrent protection** Front working lights* Extra working lights** Pedestal lights** Amber strobe light**	UL/CSA electric components 1000 VAC, 50 Hz Depending on voltage (See spec TS2-121) Automatic brake application before end of cable VYK  2 x 35W LED (24V) 2 x 35W LED (24V) 1 x 150W (24V)
<b>Flushing system</b> Air mist flushing**  Mine air connection** Water hose with hooks**	External water connection External air connection + IP5 Internal Air supply IP5 air cleaner 32mm (1¼"), 80 meters
<b>Fire suppression system</b> Hand held fire extinguisher** Manual fire suppression system**	1 x 6kg, Type ABC Ansul, 6 nozzles
<b>Carrier</b> Diesel engine* Hydraulic jacks*  Wheel chocks and holders**	Deutz F4L912W, 40kW. Tier 2, Stage 2 Telescopic (front) Narrow outriggers (front) 2 pieces
<b>Extra items</b> Spare rock drill** Spare wheel assembly** Special tools for rock drill** Documentation**	Standard or foam filled   Extra manuals
<b>Packages</b> Regional packages** Harsh water packages**	USC, EUR Basic or advanced (see spec sheet TS2-049)

\*Alternative options features/components \*\* Additional options features/components



**DIMENSIONS - DRILLING**

Model	Units	COVERAGE AREA			WIDTH MACHINE DIMENSIONS			
		A	B	C	D	E	F	G
DD210-V	mm	5500	4750	100	1200	1400	2390/1930 <sup>#</sup>	2670/2000 <sup>#</sup>
	in	216.5	187	3.9	47.24	55.1	94/76 <sup>#</sup>	105.1/ 78.7 <sup>#</sup>

<sup>#</sup>Narrow outriggers values

**DIMENSIONS - TRAMMING**

Model	Units	MACHINE DIMENSIONS								CORNERING			
		H	I	J	K	L	M	N	O	P	Q	R	S
DD210-V (NVTf8/12)	mm	2750	1900	1910	1195	1000	4775	8470	1770	900	3400	5100	2600
	in	108.2	74.8	75.2	47	39.3	188	333.5	69.6	35.4	133.8	200	102.3

DISTRIBUTOR:

Sandvik Mining reserves the right to make changes to the information on this data sheet without prior notification to users. Please contact a Sandvik representative for clarification on specifications and options.

[www.mining.sandvik.com](http://www.mining.sandvik.com)